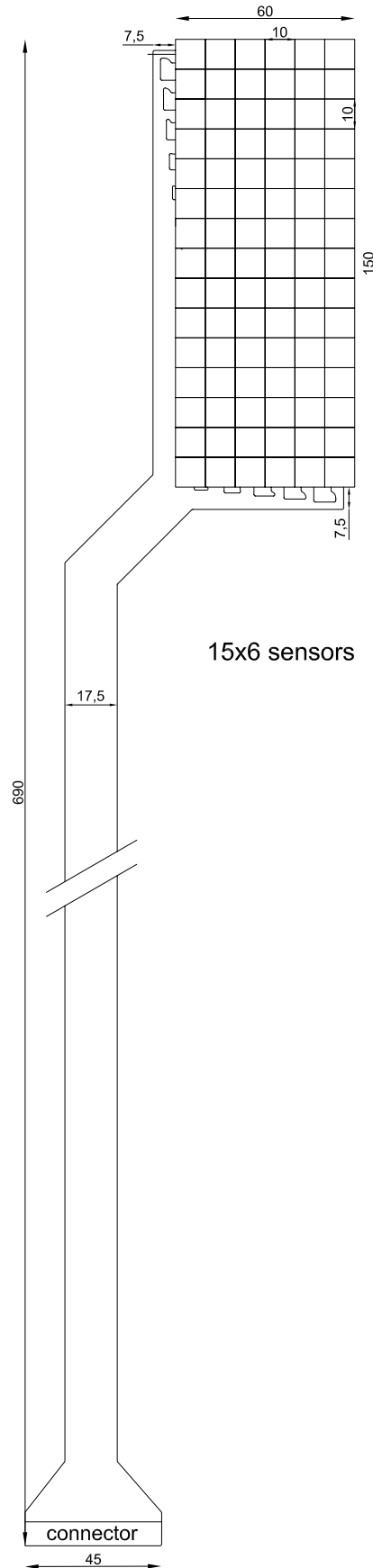


# Elastisens ES-90-150/60-10



**novel***gmbh*

Ismaningerstr.51  
81675 München  
Germany

Product ID

Elastisens ES-90-150/60-10

Product No

S2054

Author

AC

All dimensions in mm

Design (date)

15.12.2004

File & Block

c:\Daten\l\Cad\Drawing\www\  
elastisen es-90-15060-10.dwg